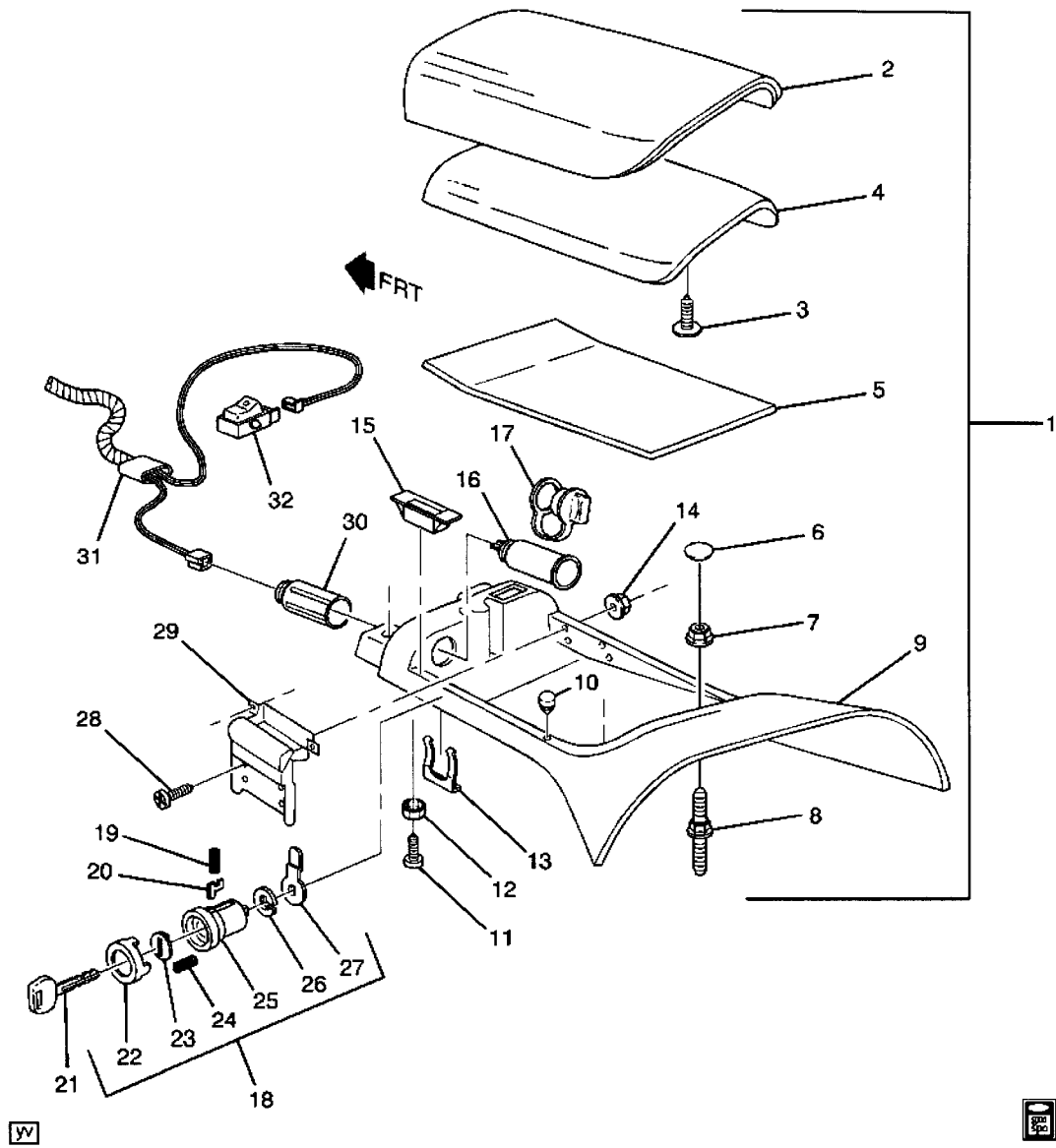




1Y10-030 05/28/98



1Y10-031 08/30/99

