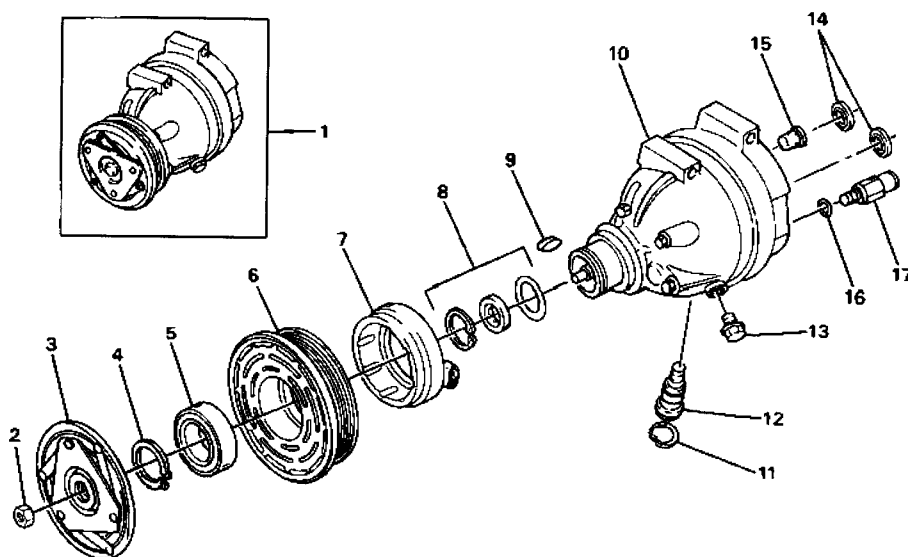


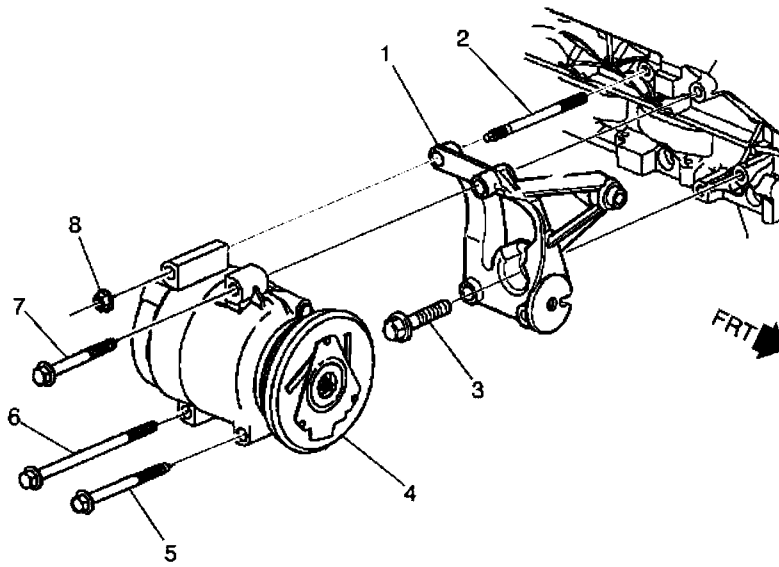
GM09-227 06/08/95



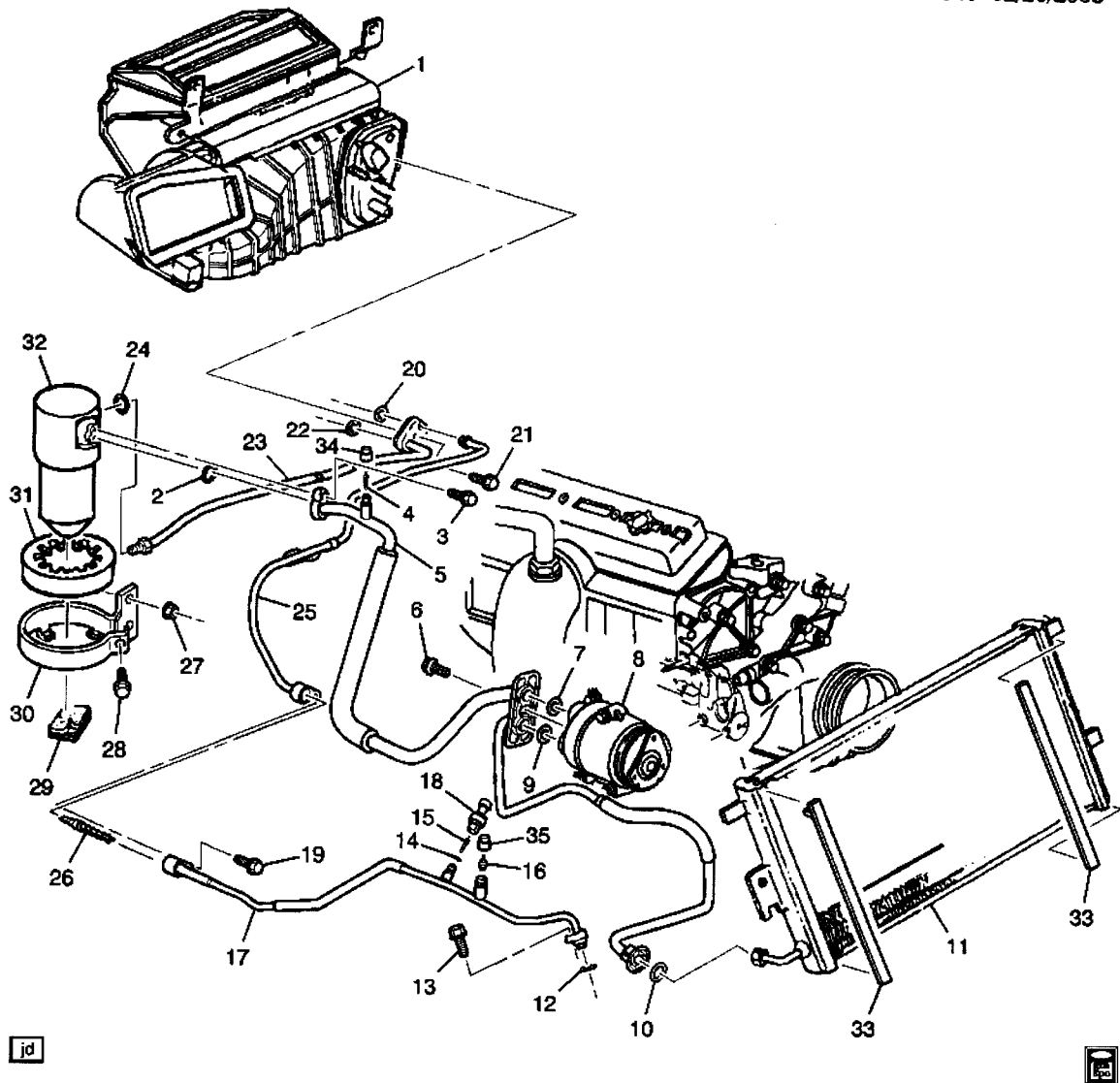
HR98-C-001



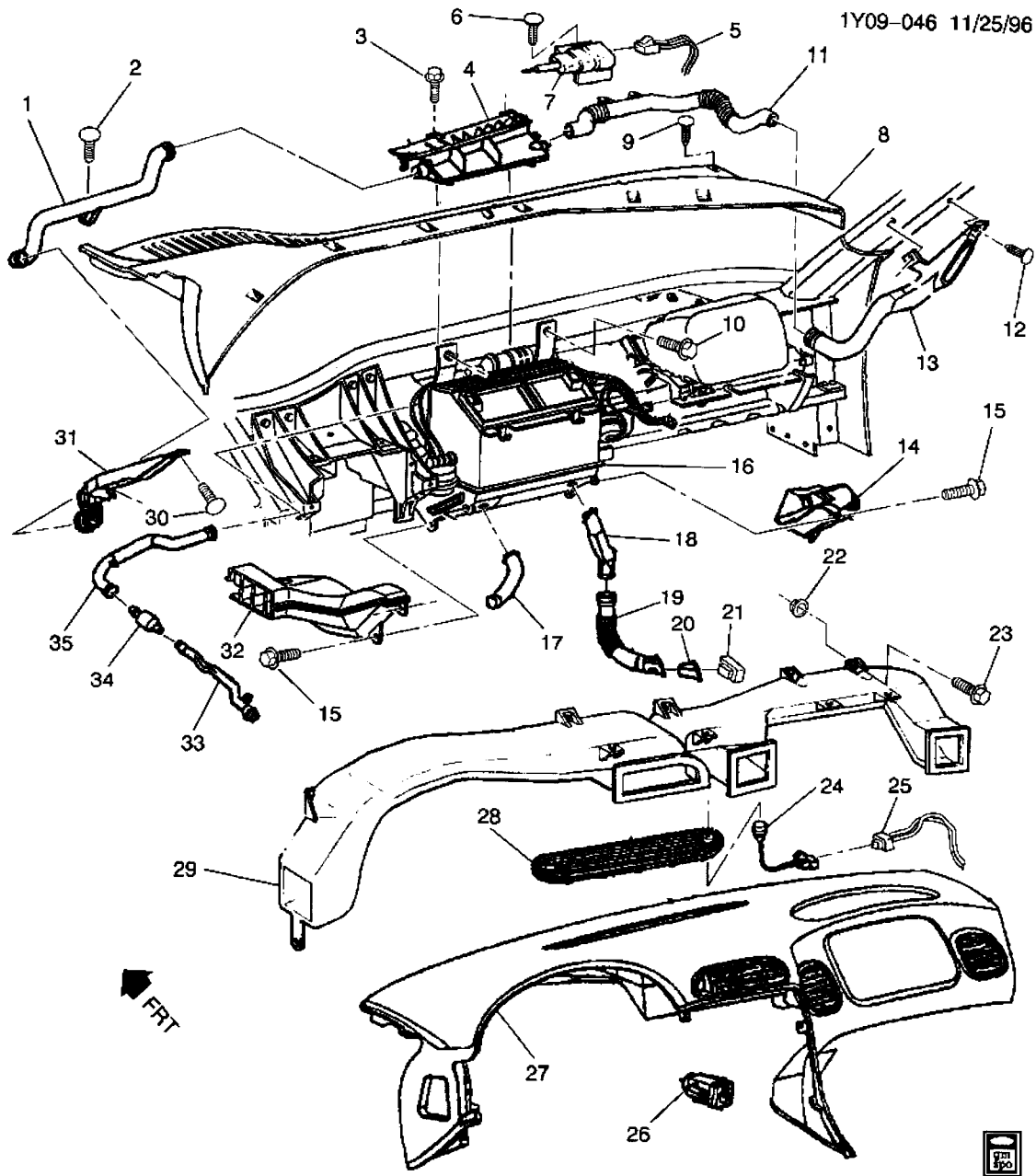
1Y09-054 11/26/96



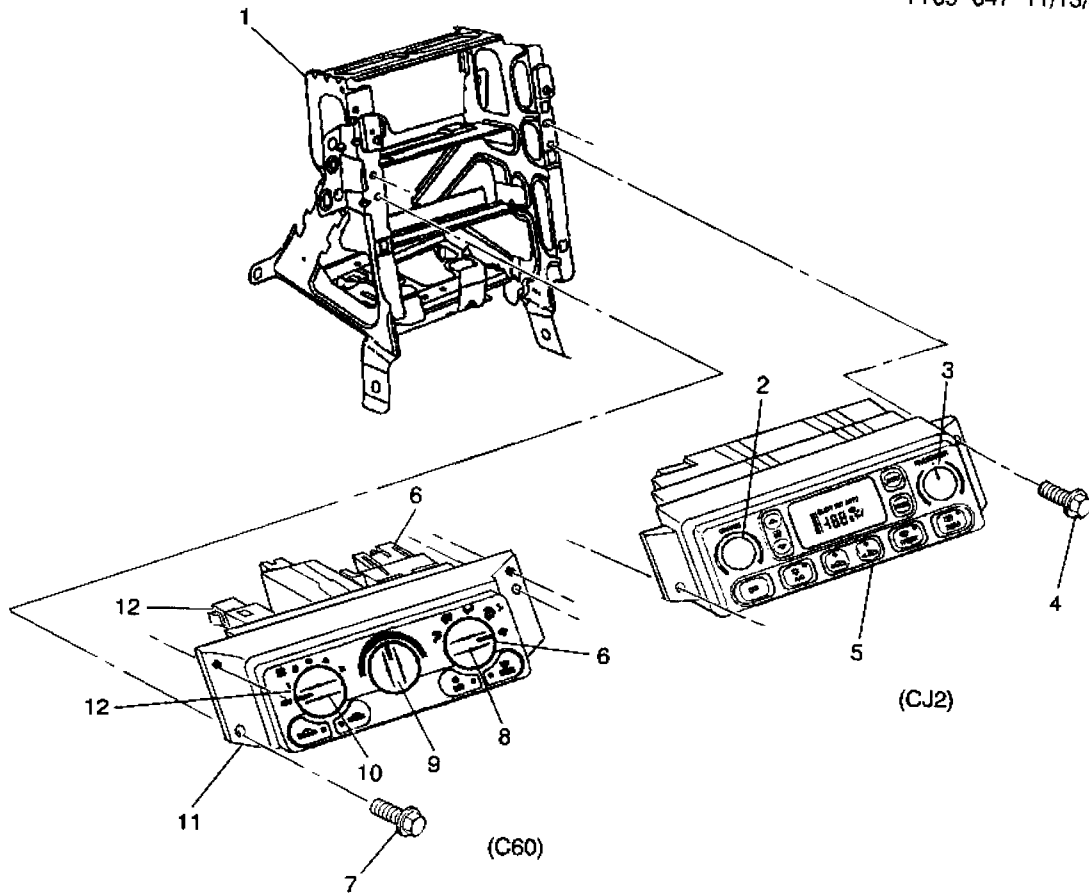
1Y09-045 02/20/2003

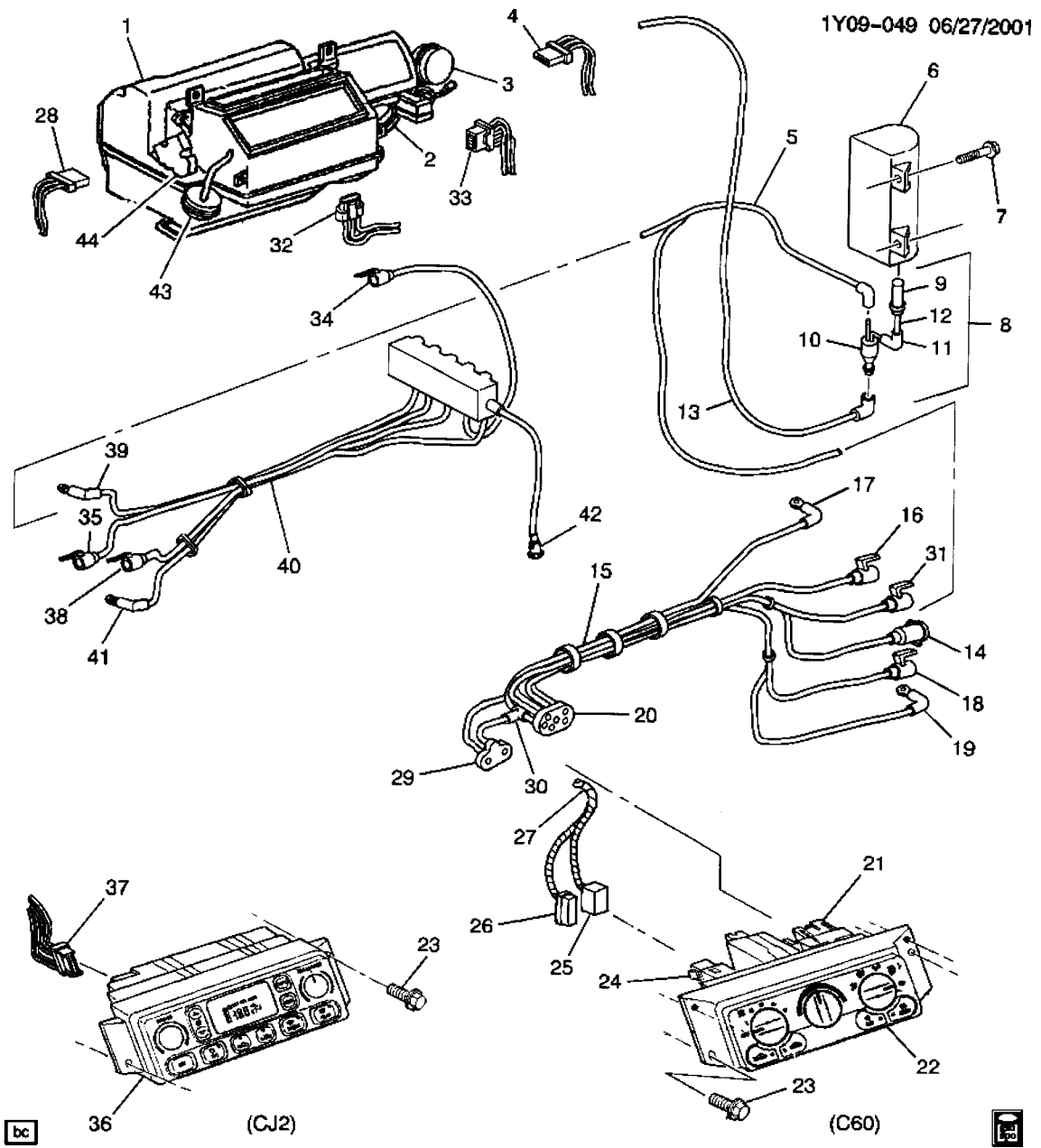


1Y09-046 11/25/96

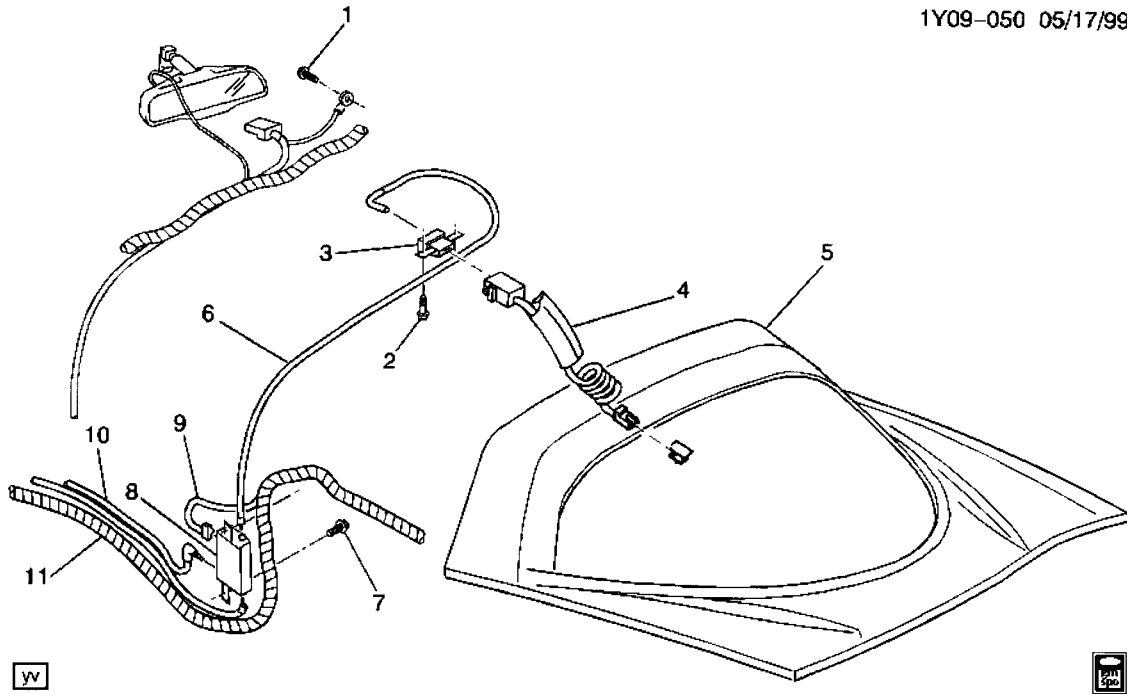


1Y09-047 11/13/96





1Y09-050 05/17/99



yv



1Y09-051 04/27/99

