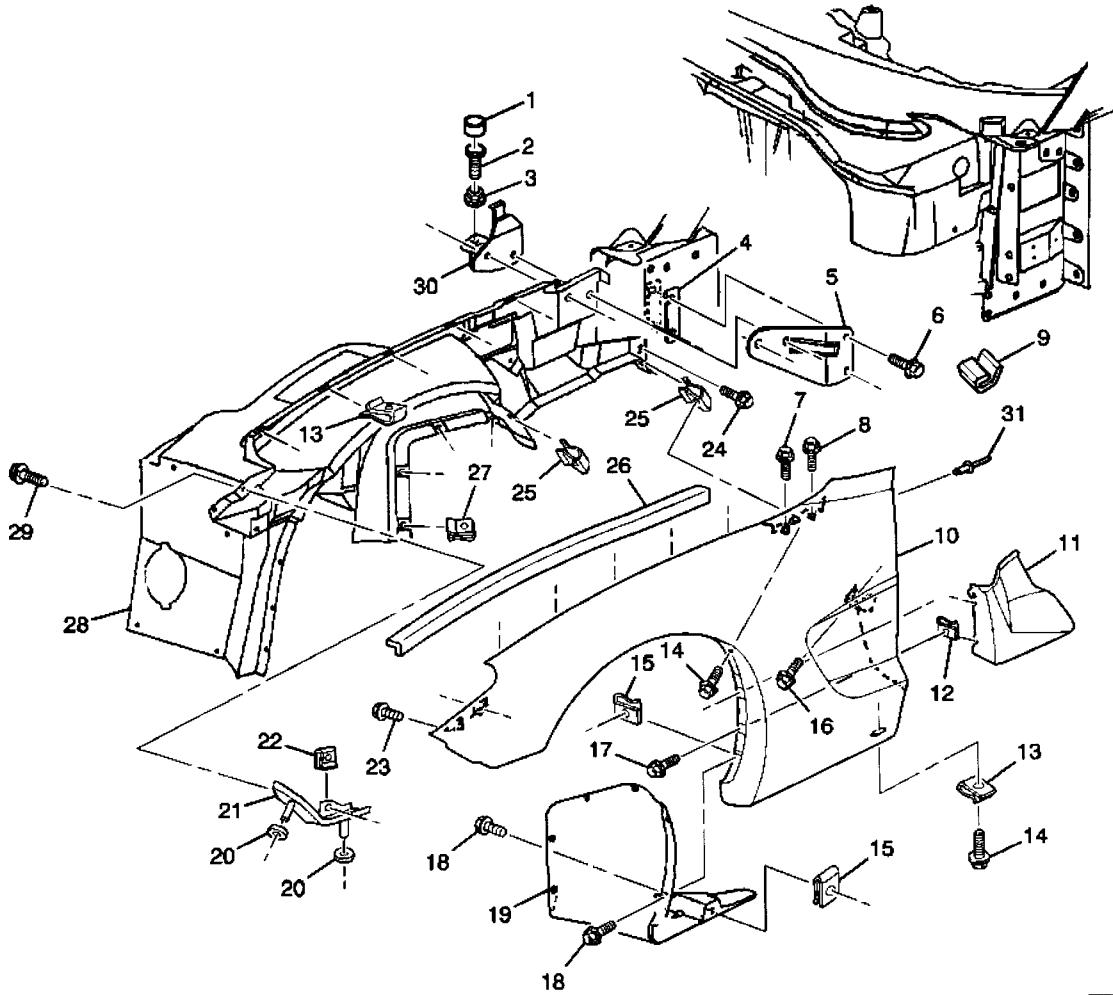
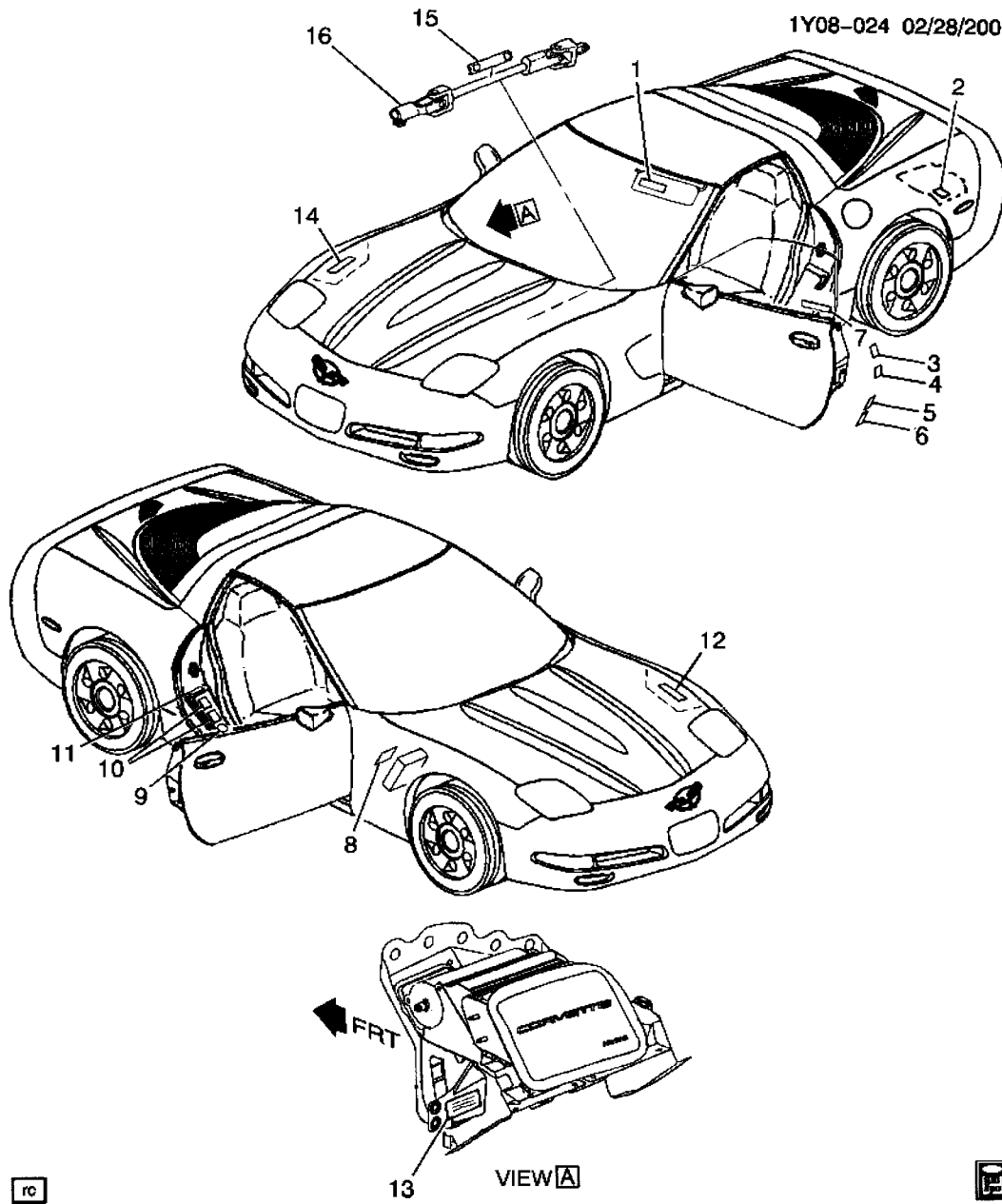


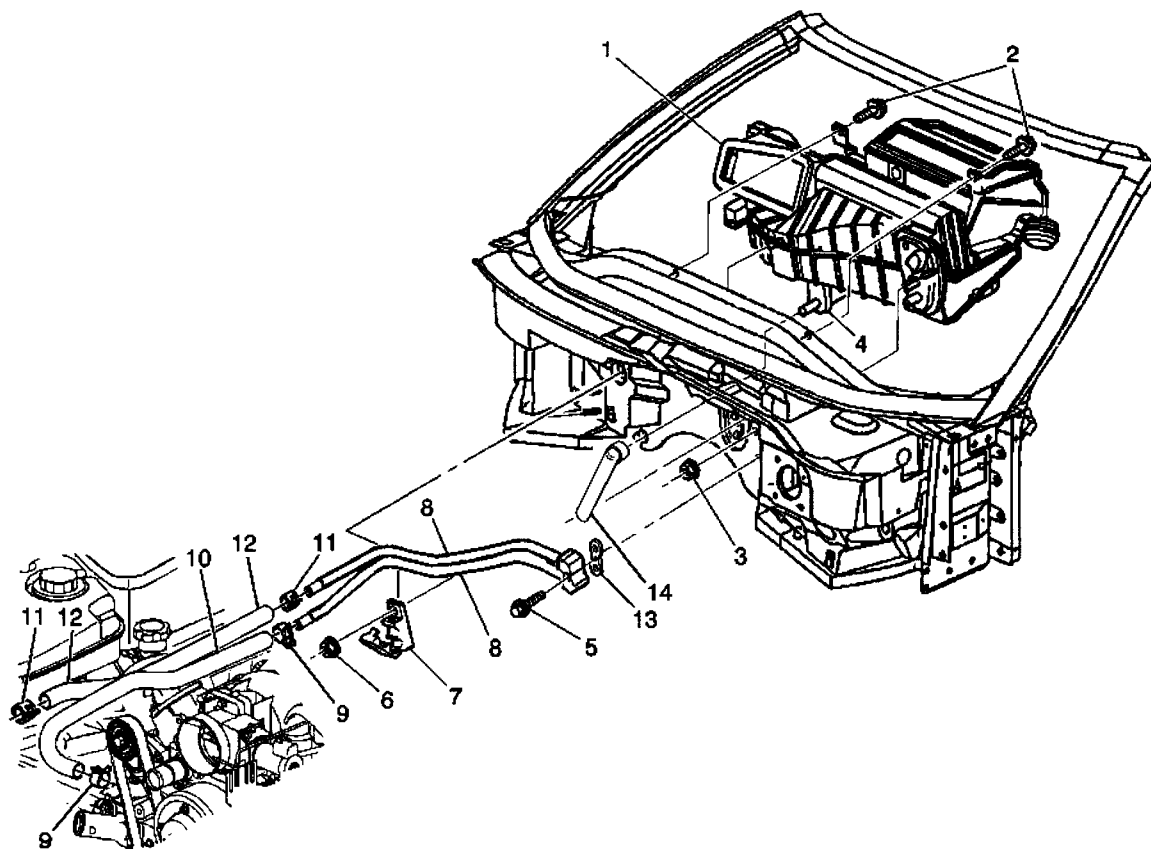
1Y08-028 04/04/2003



1Y08-024 02/28/2001



1Y08-018 08/30/2000



bc

