

MAKE=C

YEAR=01

MODEL=Y

ALL PRICES

UAAAAAAAAAAAAAAAAAAAAAAAAAAAAAAAAAAAAAAAAAAAAAAAAAAAAAAAAAAAAAAAAAAAAAAAAAAAAAAAAAAAAAAAAAAAAAAAAAAAAAAAAAAAAA

1 1997-2002 Y FRAME ASSEMBLY

(1Y07-024)

2 1997-2002 Y SUSPENSION/REAR

(1Y07-025)

3 2000-2002 Y07-67 SUSPENSION CONTROLS/ELECTRONIC (F45)

(1Y07-031)

4 2001 Y BUMPER/FRONT

(1Y07-030)

5 1997-2004 Y BUMPER/REAR

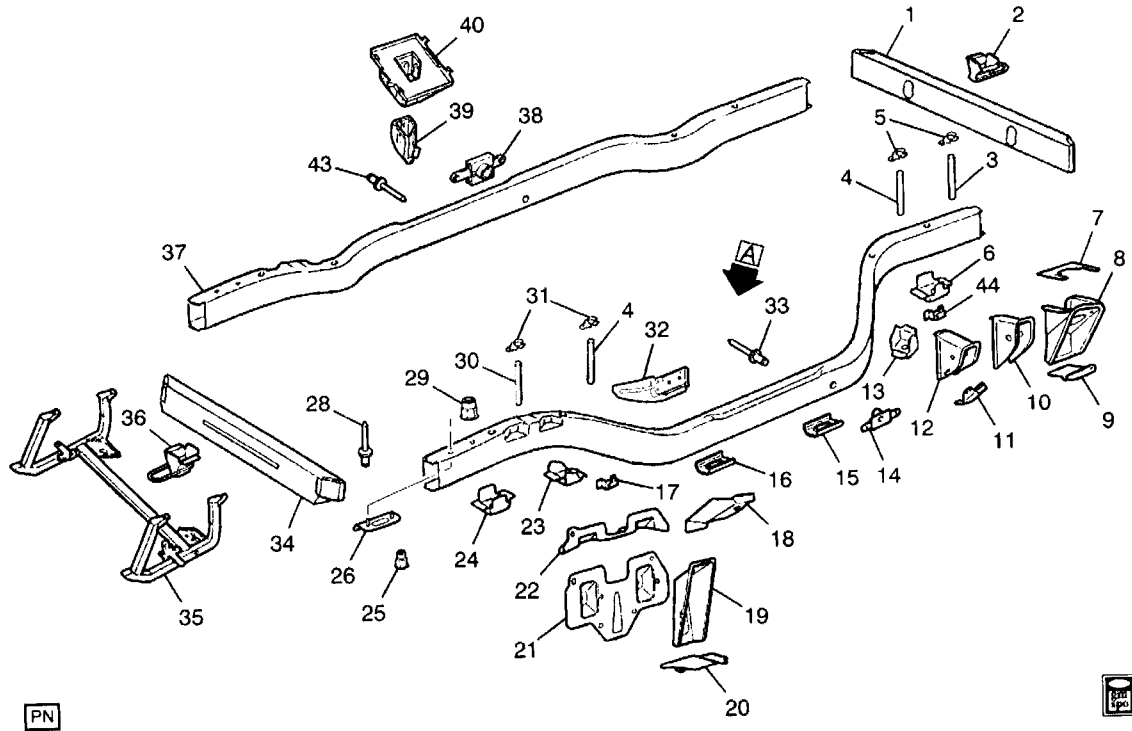
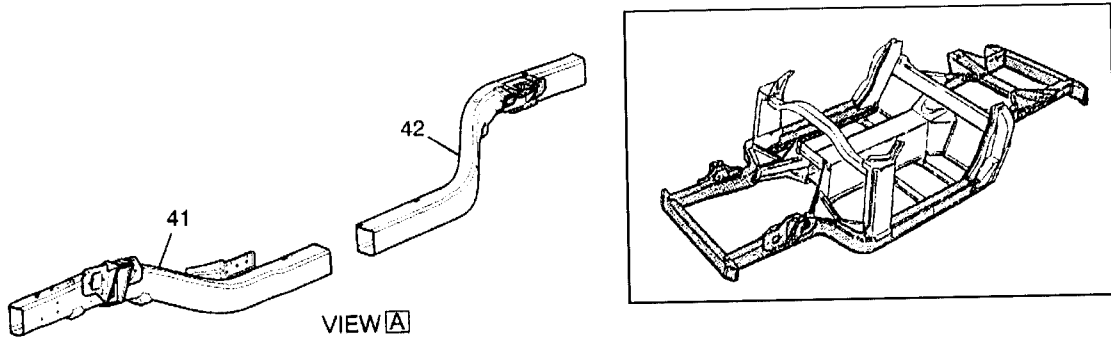
(1Y07-029)

INDEX ENTRY>

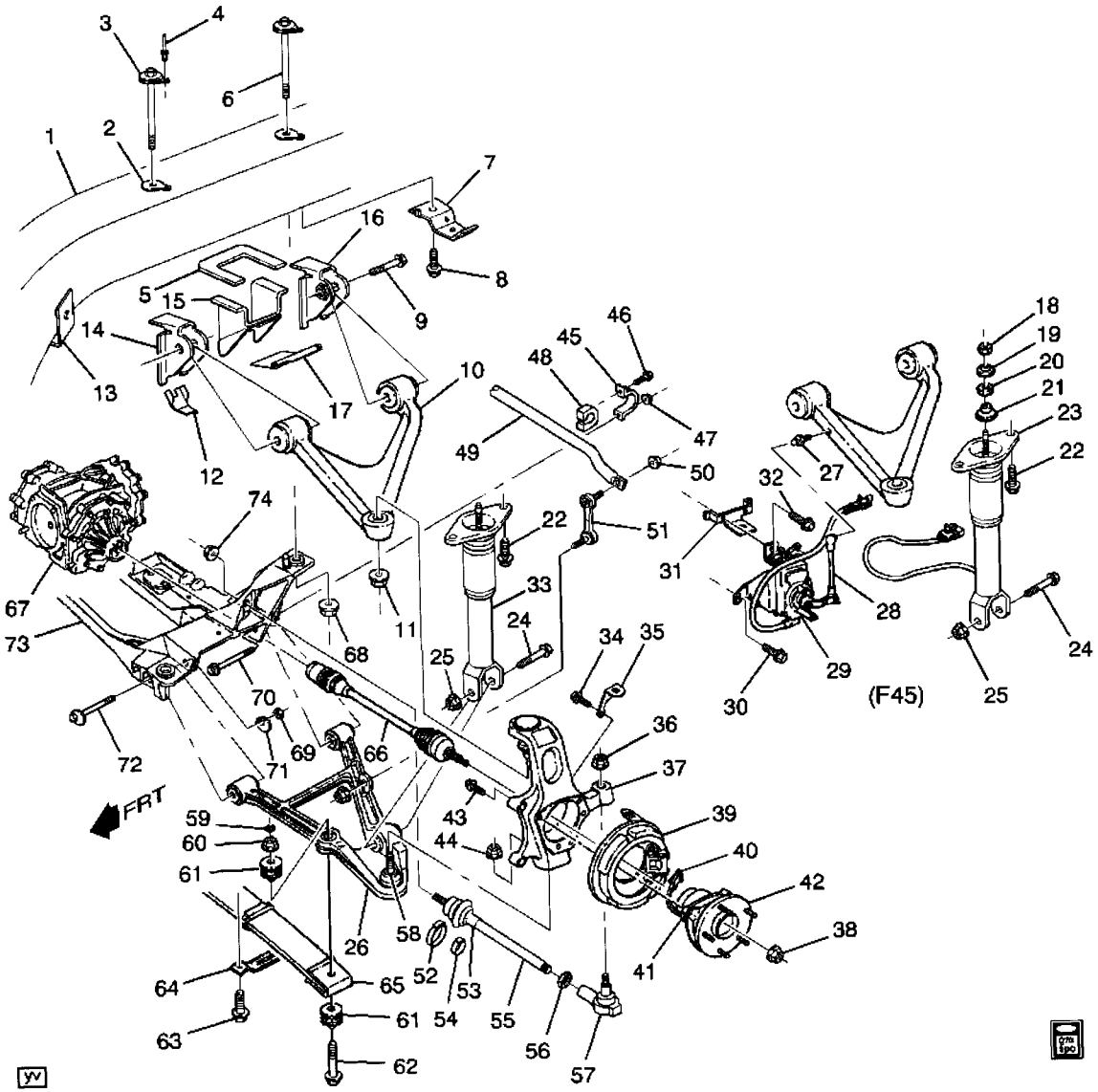
Pictures (F12)

AAAAAAAAAAAAAAAAAAAAAAAAAAAAAAAAAAAAAAAAAAAAAAAAAAAAAAAAAAAAAAAAAAAAAAAAAAAAAAAAAAAAAAAAAAAAAAAAAAAAAAAAAAAA

1Y07-024 02/26/2004

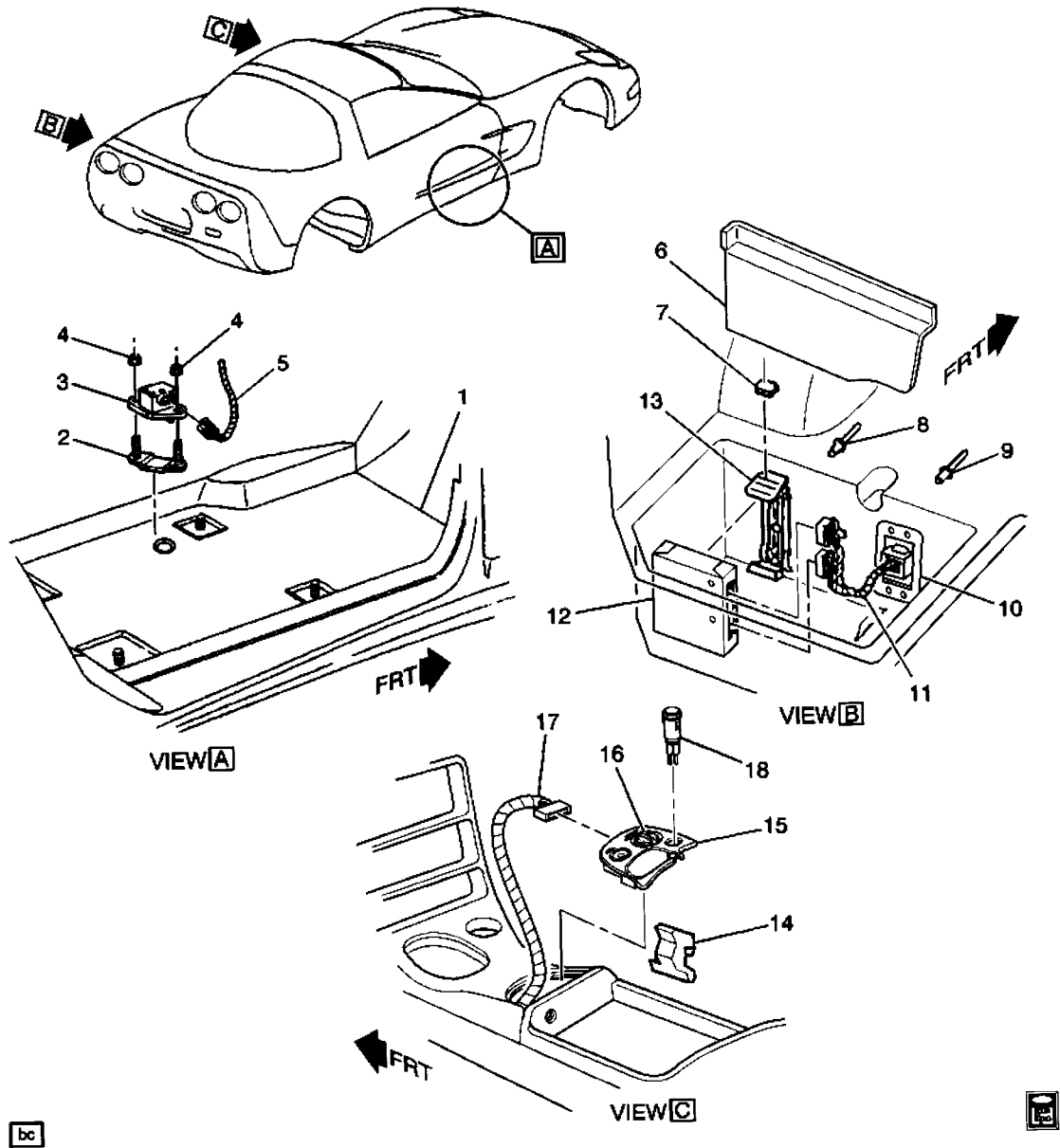


1Y07-025 06/01/2001

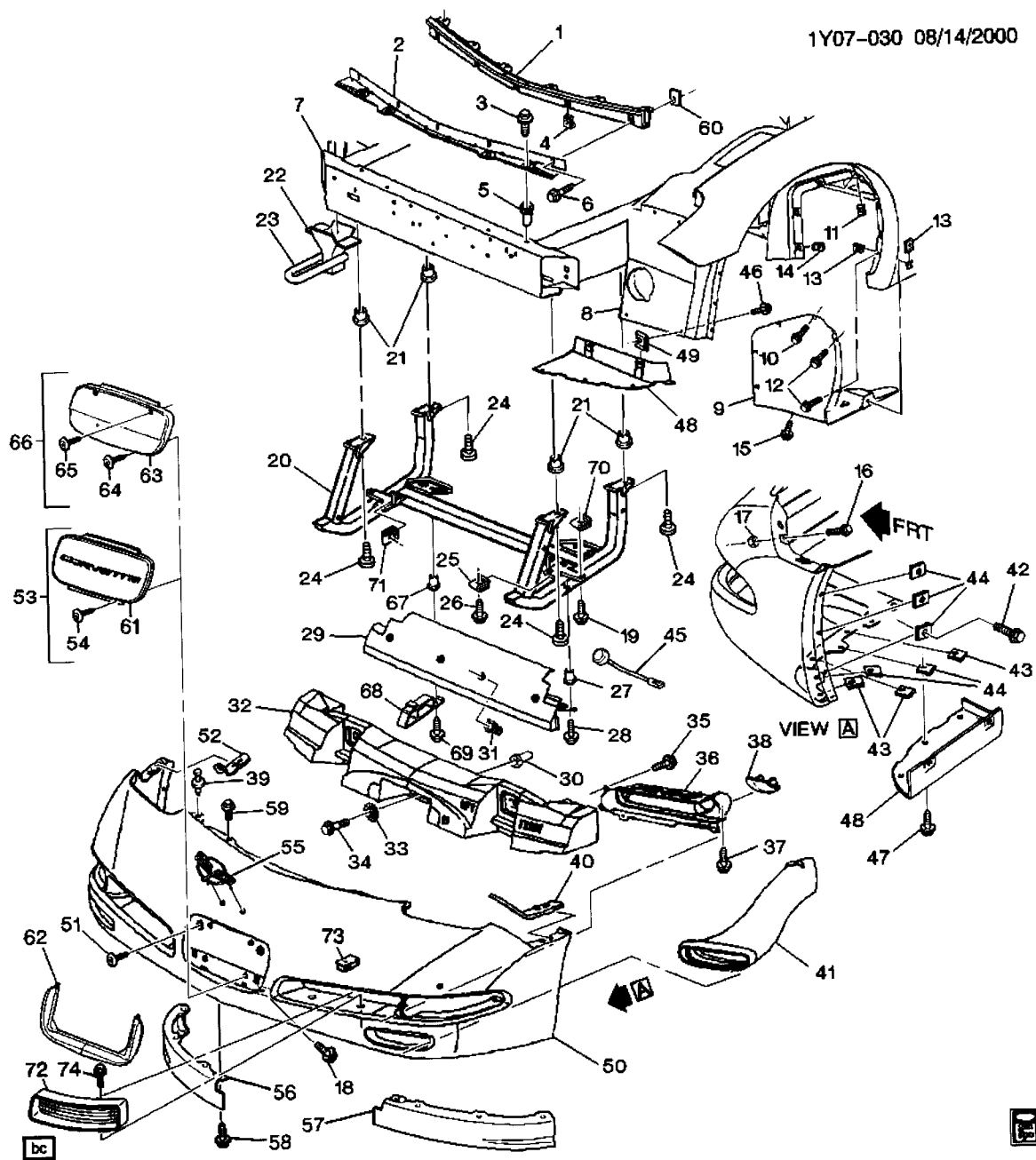


Copyright 2005 General Motors Corporation. All rights reserved.

ProQuest Automotive EPC



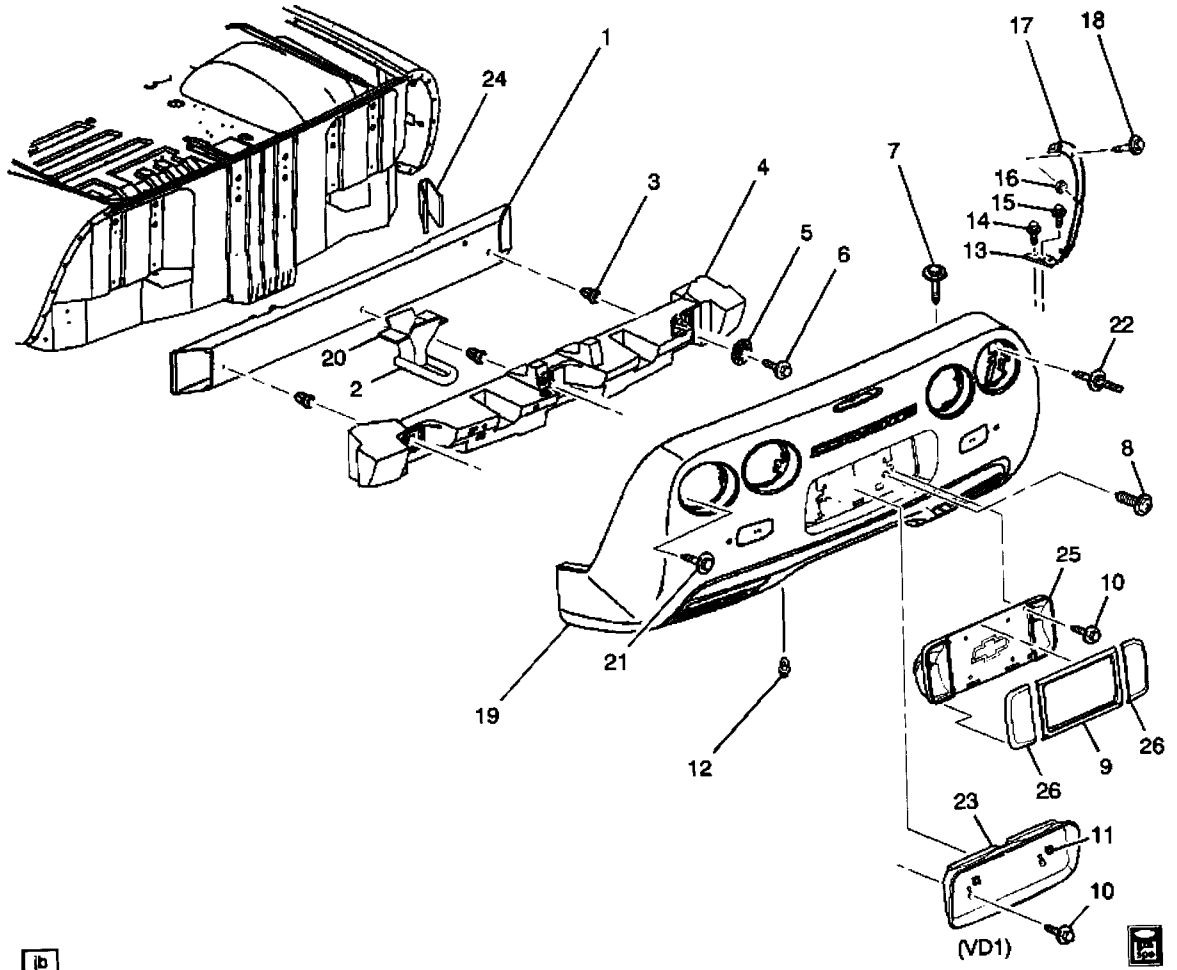
1Y07-030 08/14/2000



Copyright 2005 General Motors Corporation. All rights reserved.

ProQuest Automotive EPC

1Y07-029 01/08/2007



Copyright 2005 General Motors Corporation. All rights reserved.

ProQuest Automotive EPC