

MAKE=C

YEAR=01

MODEL=Y

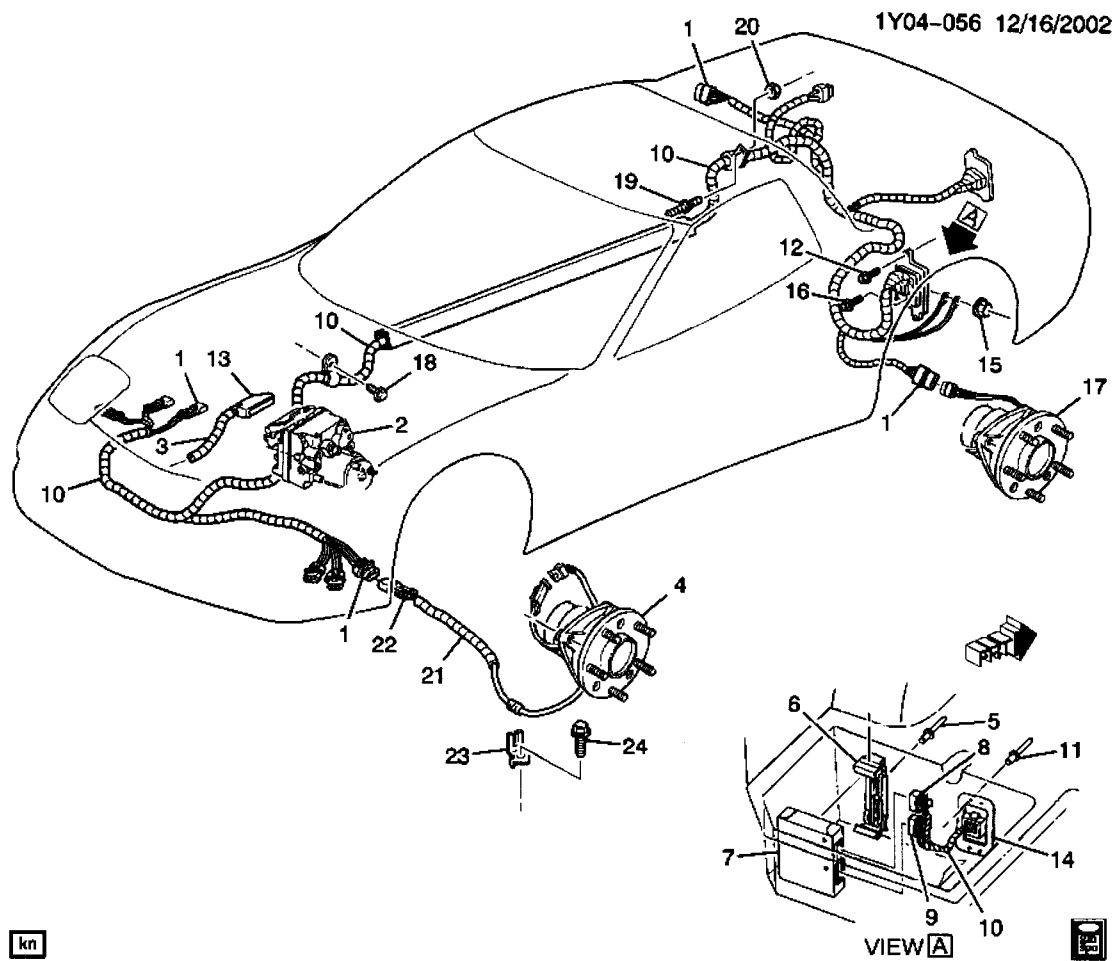
ALL PRICES

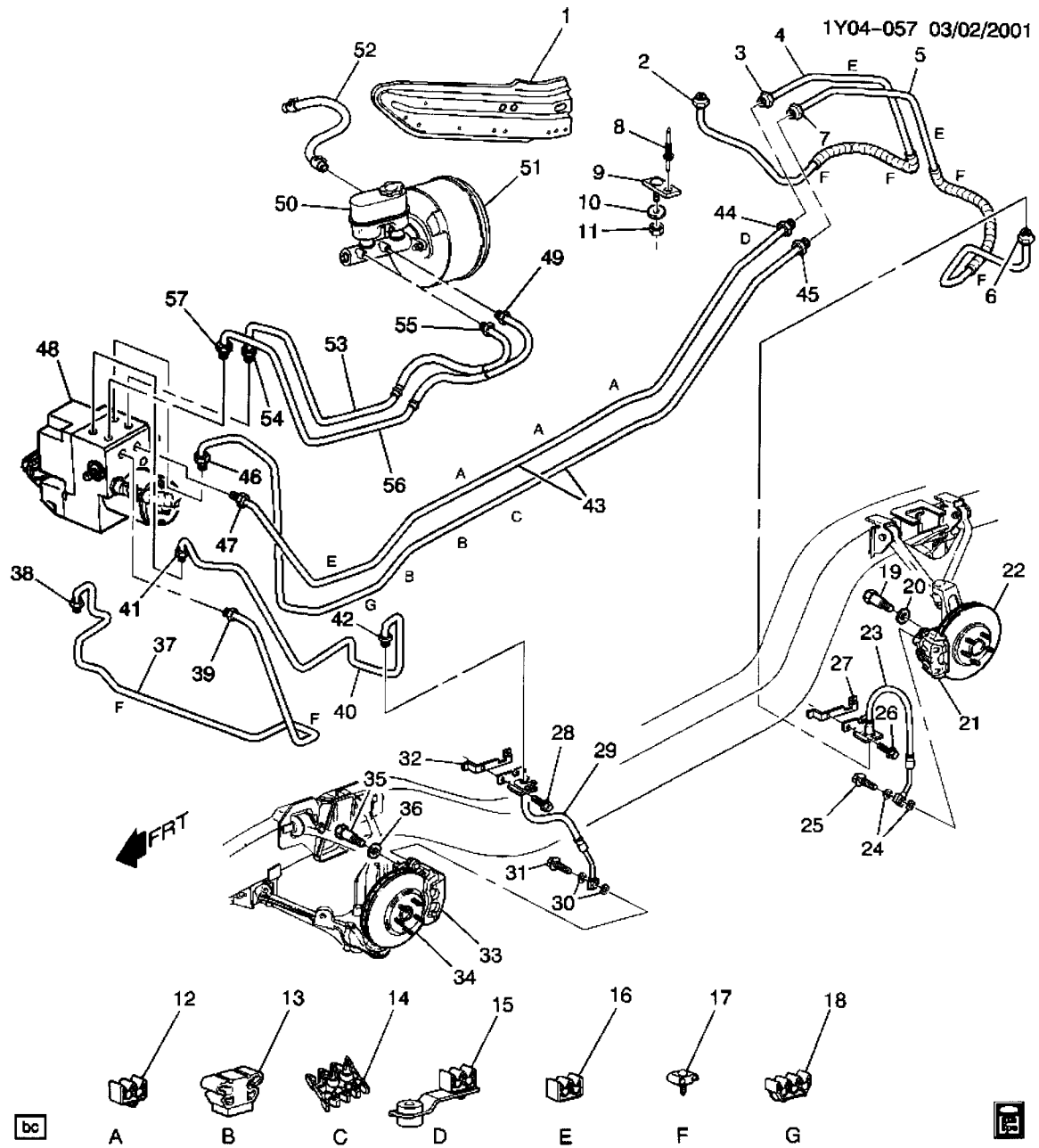
AAAAAAAAAAAAAAAAAAAAAAAAAAAAAAAAAAAAAAAAAAAAAAAAAAAAAAAAAAAAAAAAAAAAAAAAAAAAAAAAAAAAAAAAAAAAAAAAAAAAAAAAAAAAAAAAAAAAAAAA

26	2001	Y BRAKE ELECTRICAL SYSTEM/ANTILOCK	(1Y04-056)
27	2001-2004	Y BRAKE HOSES & PIPES	(1Y04-057)
28	1997-2004	Y BRAKE BOOSTER	(GM04-423)
29	1997-2004	Y BRAKE MASTER CYLINDER	(GM04-376)
30	1997-2001	Y BRAKE CALIPER/FRONT	(1Y04-046)
31	1997-2004	Y BRAKE CALIPER/REAR	(1Y04-045)
32	1997-2004	Y BRAKE PEDAL & MASTER CYLINDER MOUNTING	(1Y04-043)
33	2001-2004	Y BRAKE CONTROL MODULATOR VALVE & MOUNTING	(1Y04-054)
34	1997-2004	Y PARKING BRAKE SYSTEM	(1Y04-044)
35	1997-2004	Y PARKING BRAKE ASM	(1Y04-047)

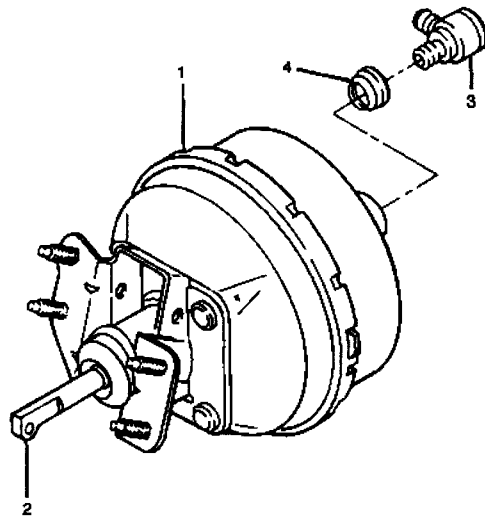
INDEX ENTRY>

Pictures (F12)





Make: CHEVROLET, Year: 01, Model: Corvette



GM04-423 03/13/96

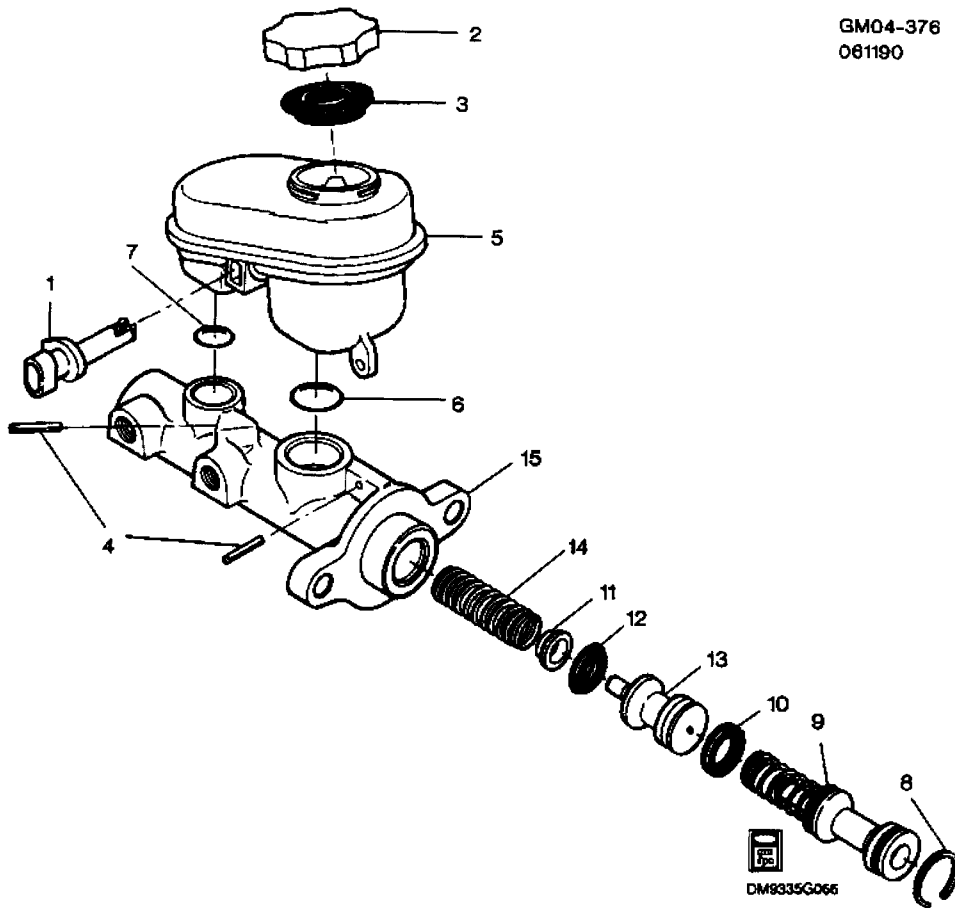
DM2015E002



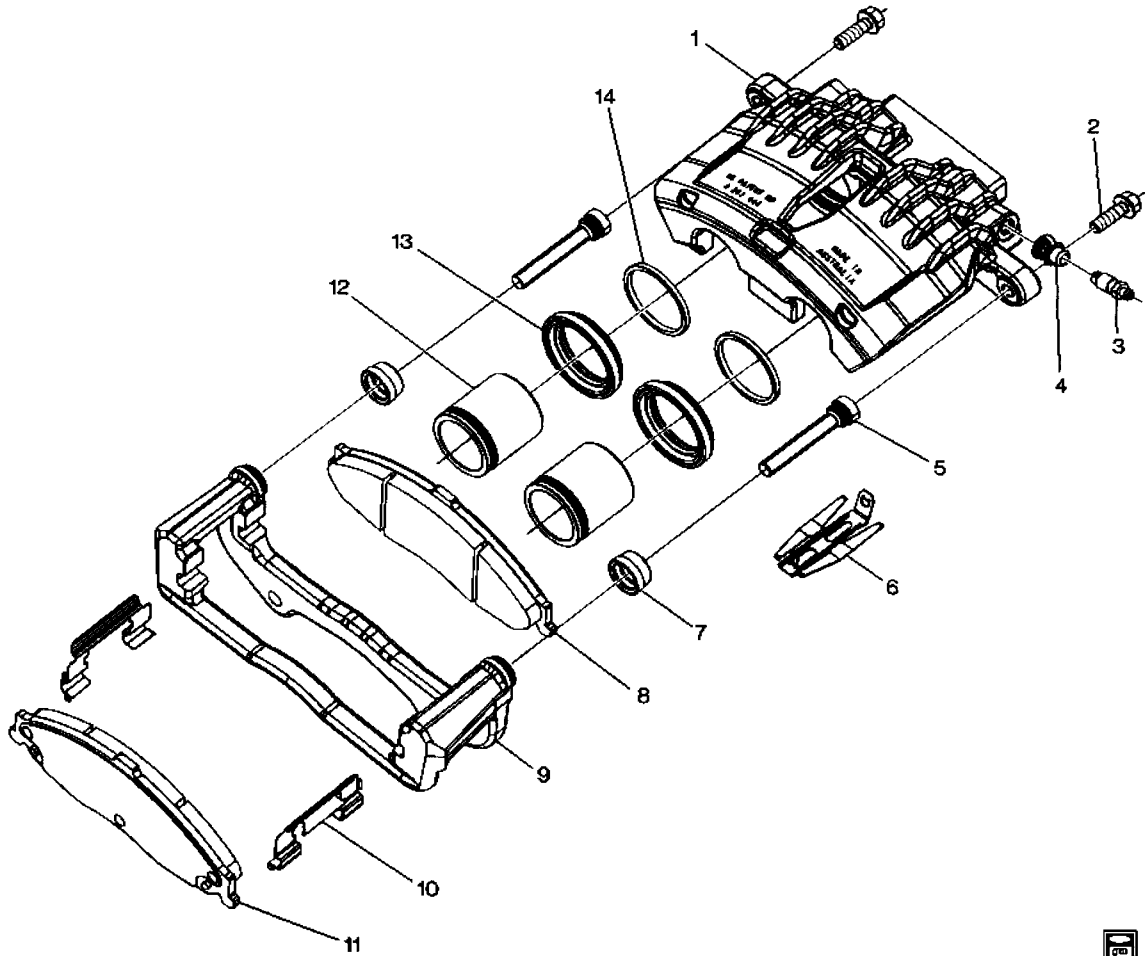
Copyright 2005 General Motors Corporation. All rights reserved.

ProQuest Automotive EPC

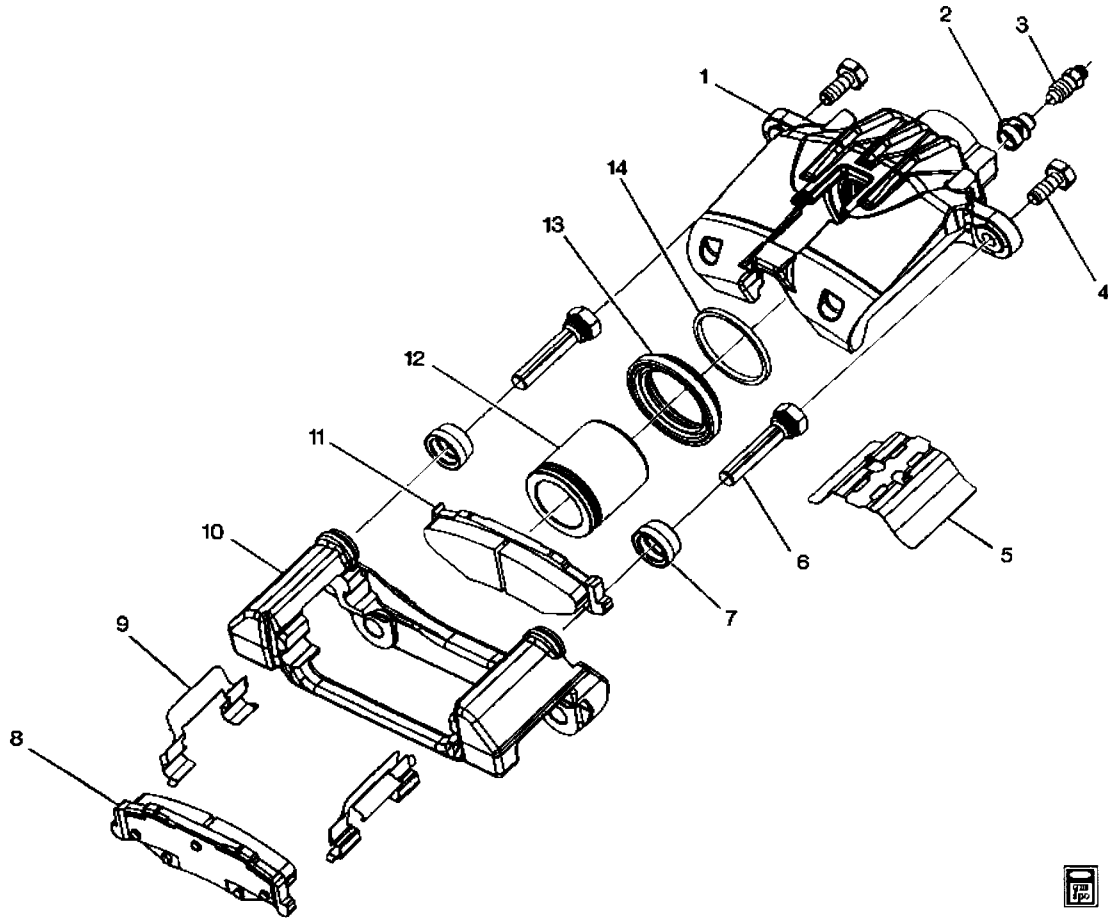
GM04-376
061190



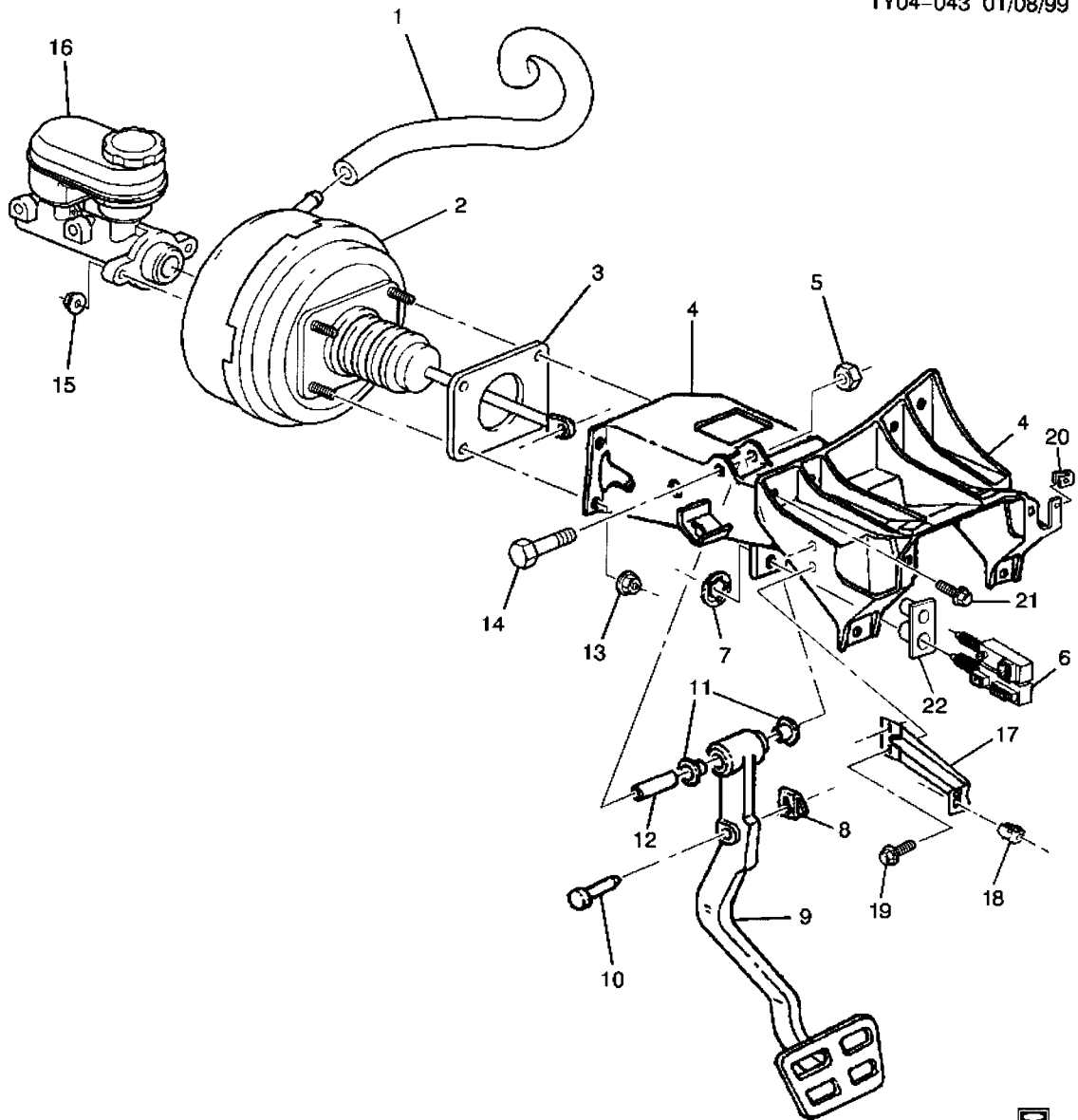
1Y04-046 09/16/96



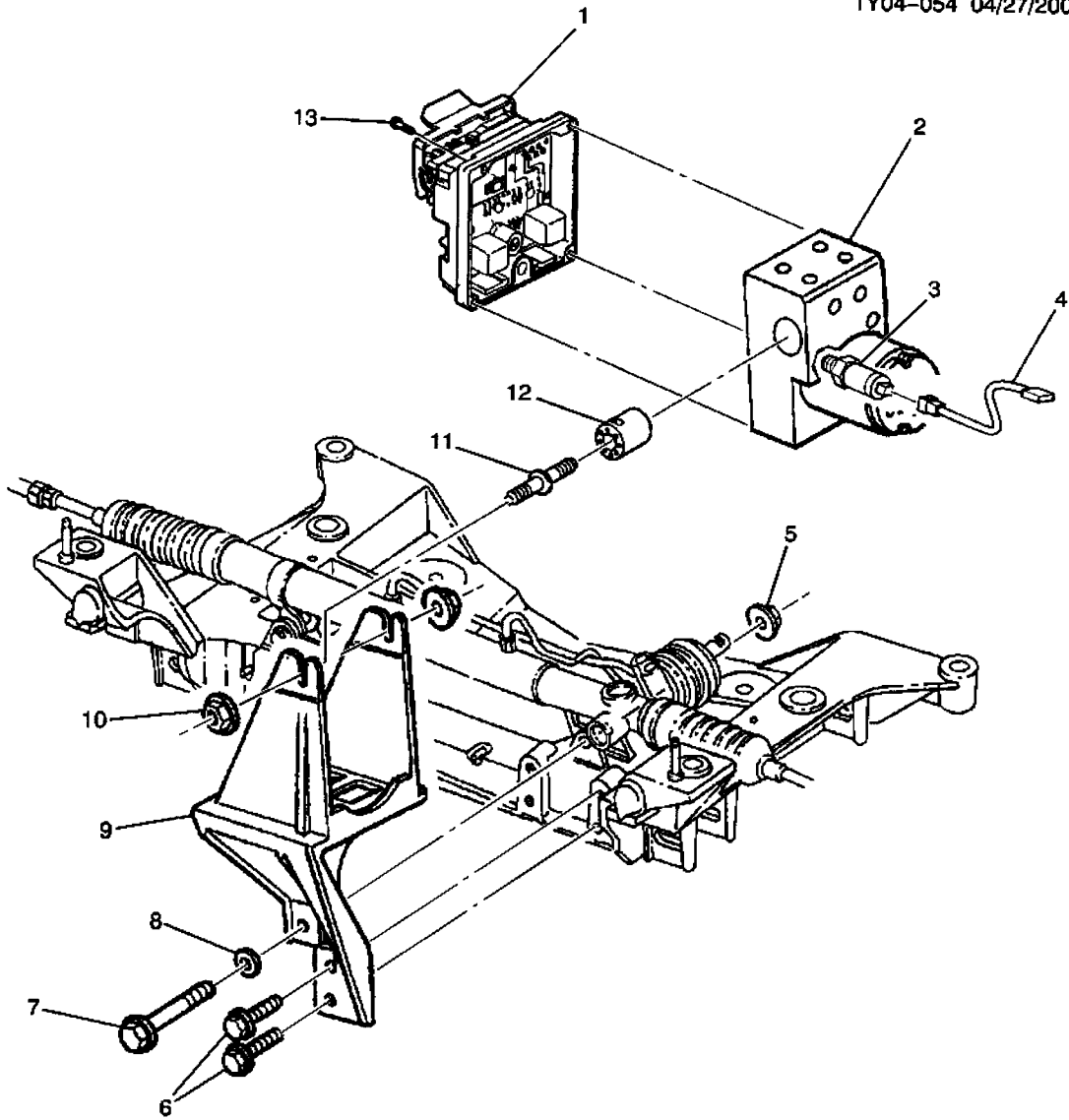
1Y04-045 11/25/96



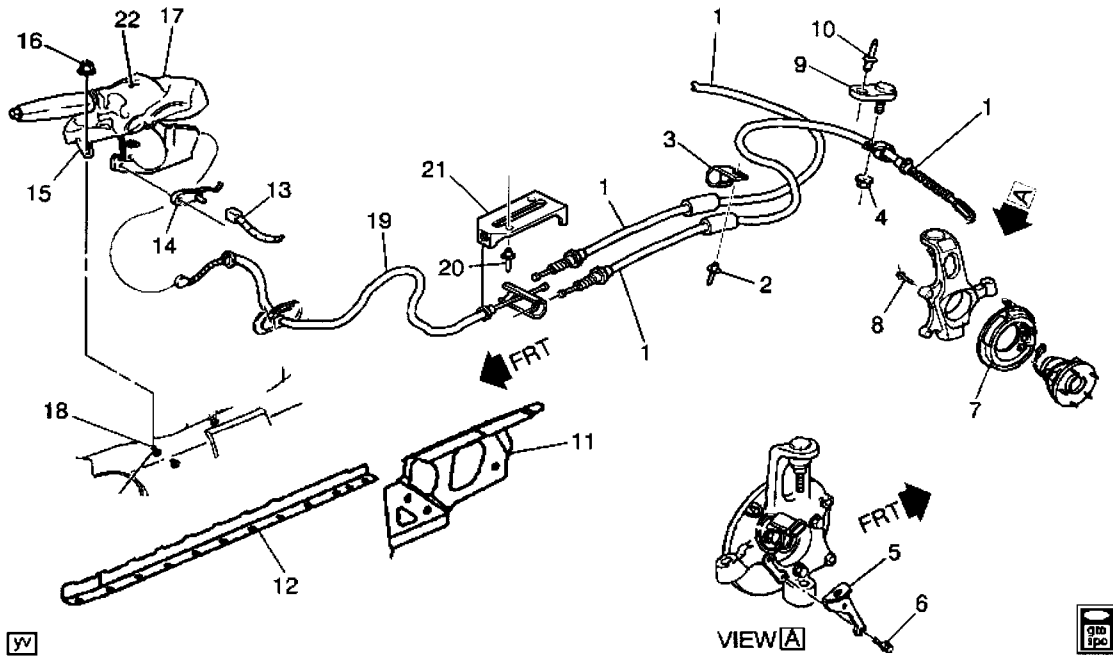
1Y04-043 01/08/99



1Y04-054 04/27/2001



1Y04-044 01/12/98



1Y04-047 11/12/96

