

MAKE=C

YEAR=01

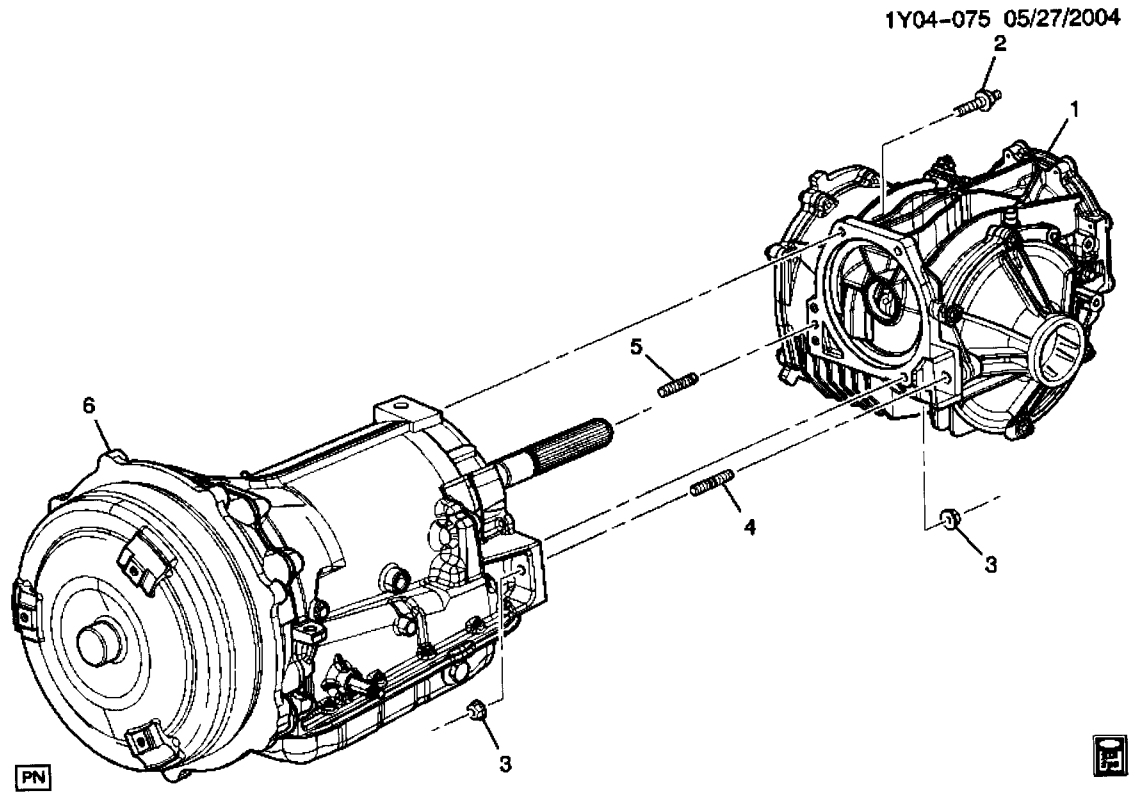
MODEL=Y

ALL PRICES

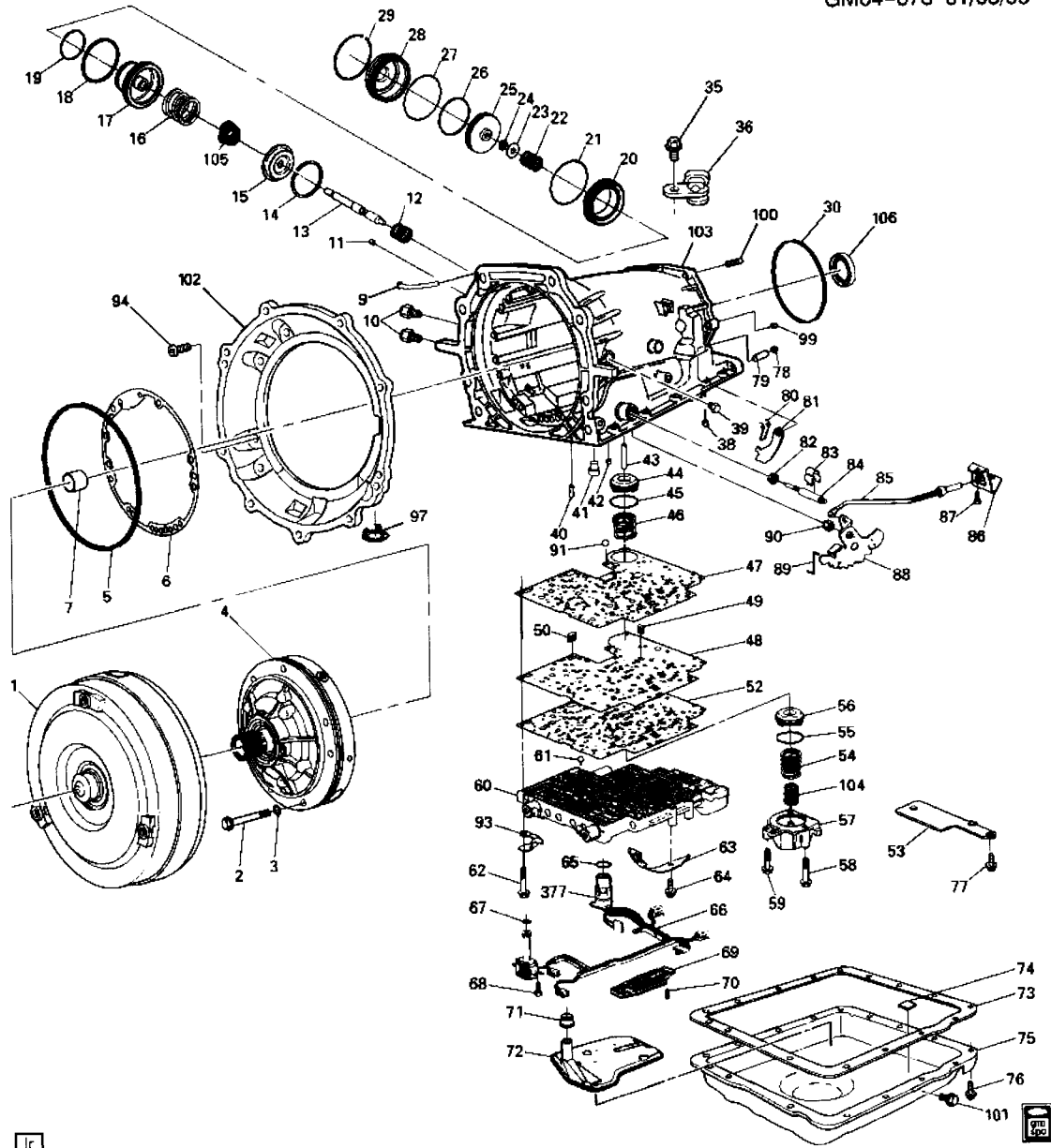
- 13 1997-2004 Y 6-SPEED MANUAL TRANSMISSION PART 6 SHIFT FORKS(MM6) (GM04-547)
- 14 1997-2004 Y 6-SPEED MANUAL TRANSMISSION PART 7 REVERSE LOCKOUT(MM6) (1Y04-088)
- 15 2001-2004 Y SHIFT CONTROLS/MANUAL TRANSMISSION (MM6,M12) (1Y04-034)
- 16 2001-2004 Y TRANSAXLE MOUNTING-MANUAL TRANS TO DIFFERENTIAL(MM6,M12) (1Y04-073)
- 17 1997-2004 Y TRANSAXLE MOUNTING (1Y04-022)
- 18 1997-2004 Y TRANSAXLE MOUNTING-AUTO TRANS TO DIFFERENTIAL(M30) (1Y04-075)
- 19 1997-2004 Y AUTOMATIC TRANSMISSION (M30) PART 1 (4L60E) CASE & RELATED PARTS/
PARK LOCK LINKAGE (GM04-078)
- 20 1997-2004 Y AUTOMATIC TRANSMISSION (M30) PART 3 (4L60E) CONTROL VALVE (GM04-469)
- 21 1997-2004 Y AUTOMATIC TRANSMISSION (M30) PART 4 (4L60E) OIL PUMP (GM04-470)
- 22 1999-2004 Y AUTOMATIC TRANSMISSION (M30) PART 2 (4L60E) CLUTCH GEARS (GM04-106)
- 23 2001-2004 Y AUTOMATIC TRANSAXLE OIL COOLER PIPES & HOSES (M30) (1Y04-039)
- 24 1997-2001 Y SHIFT CONTROL/AUTOMATIC TRANSMISSION (M30) (1Y04-038)
- 25 2001-2004 Y37 BRAKE SYSTEM/COOLING DUCTS (1Y04-055)

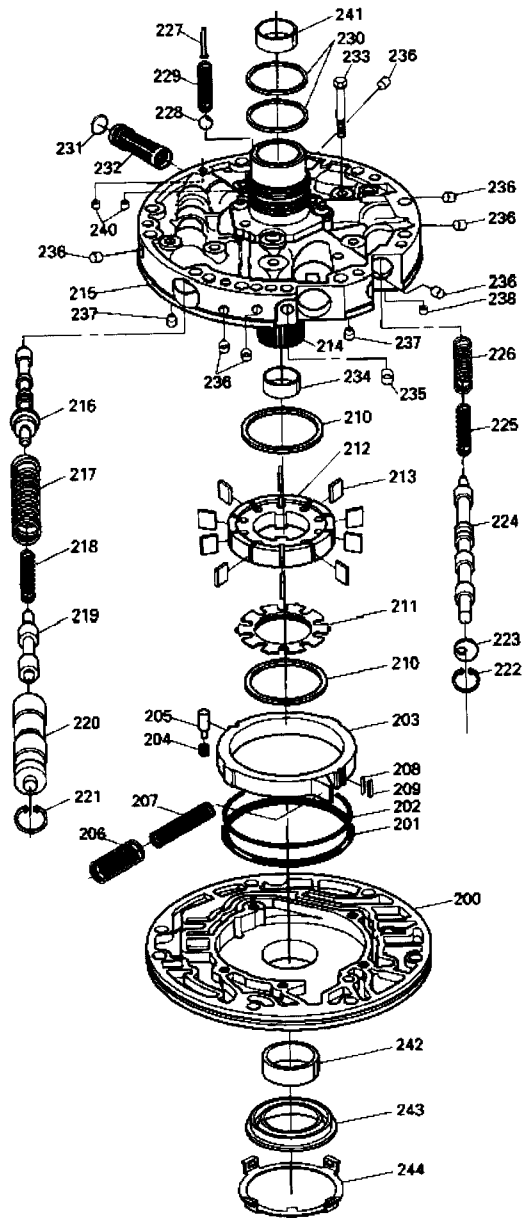
INDEX ENTRY

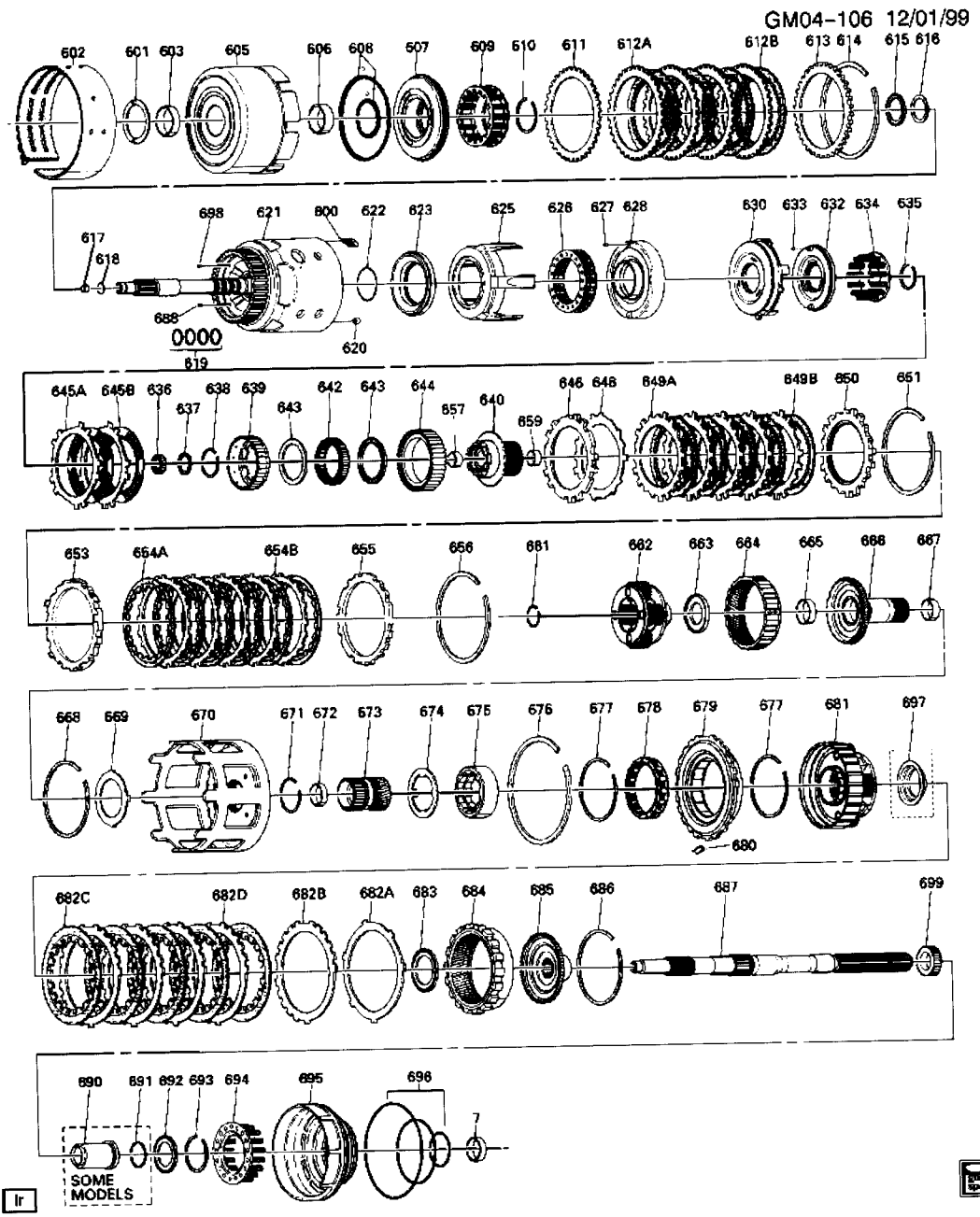
Pictures (F12)



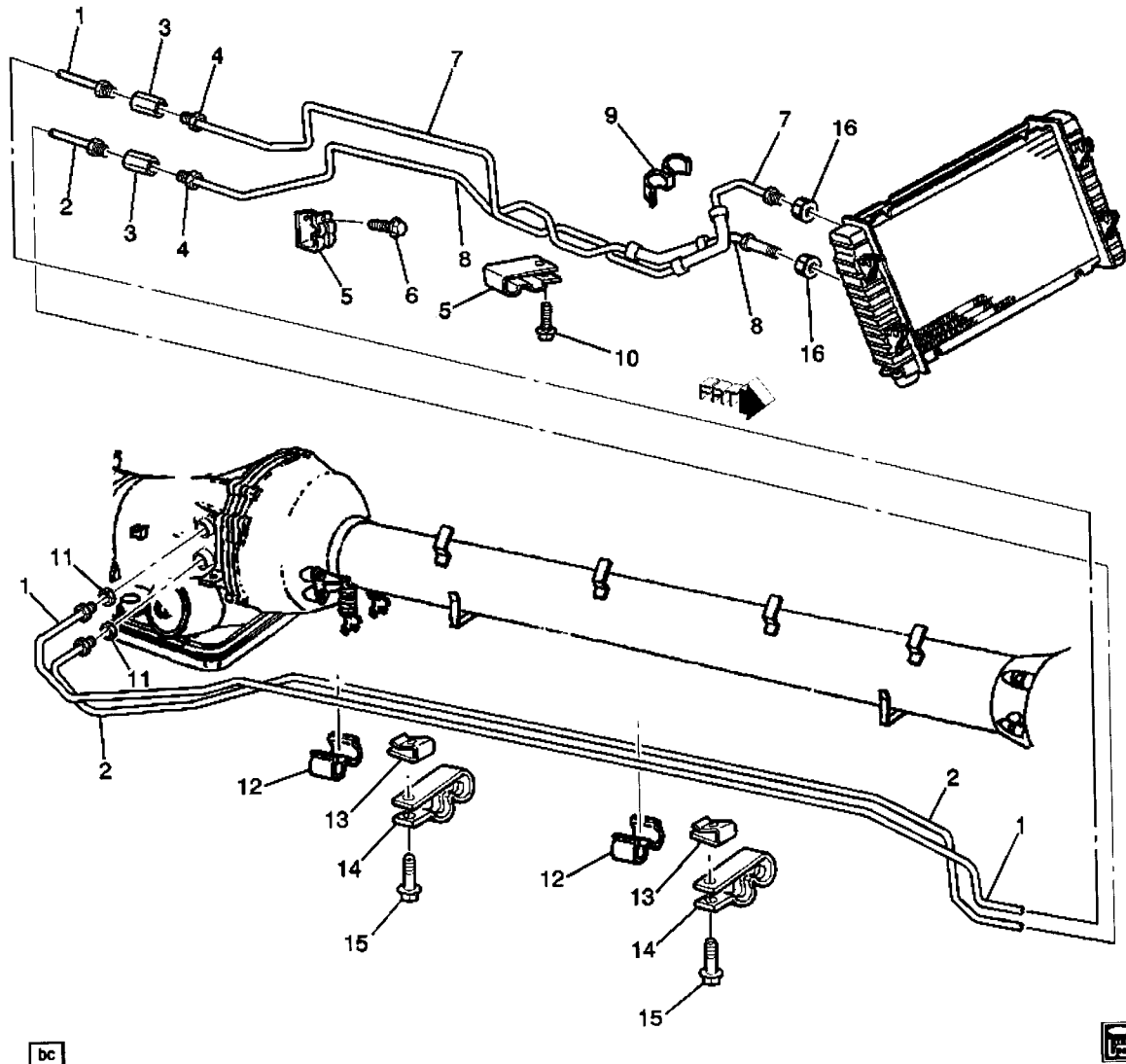
GM04-078 01/05/99



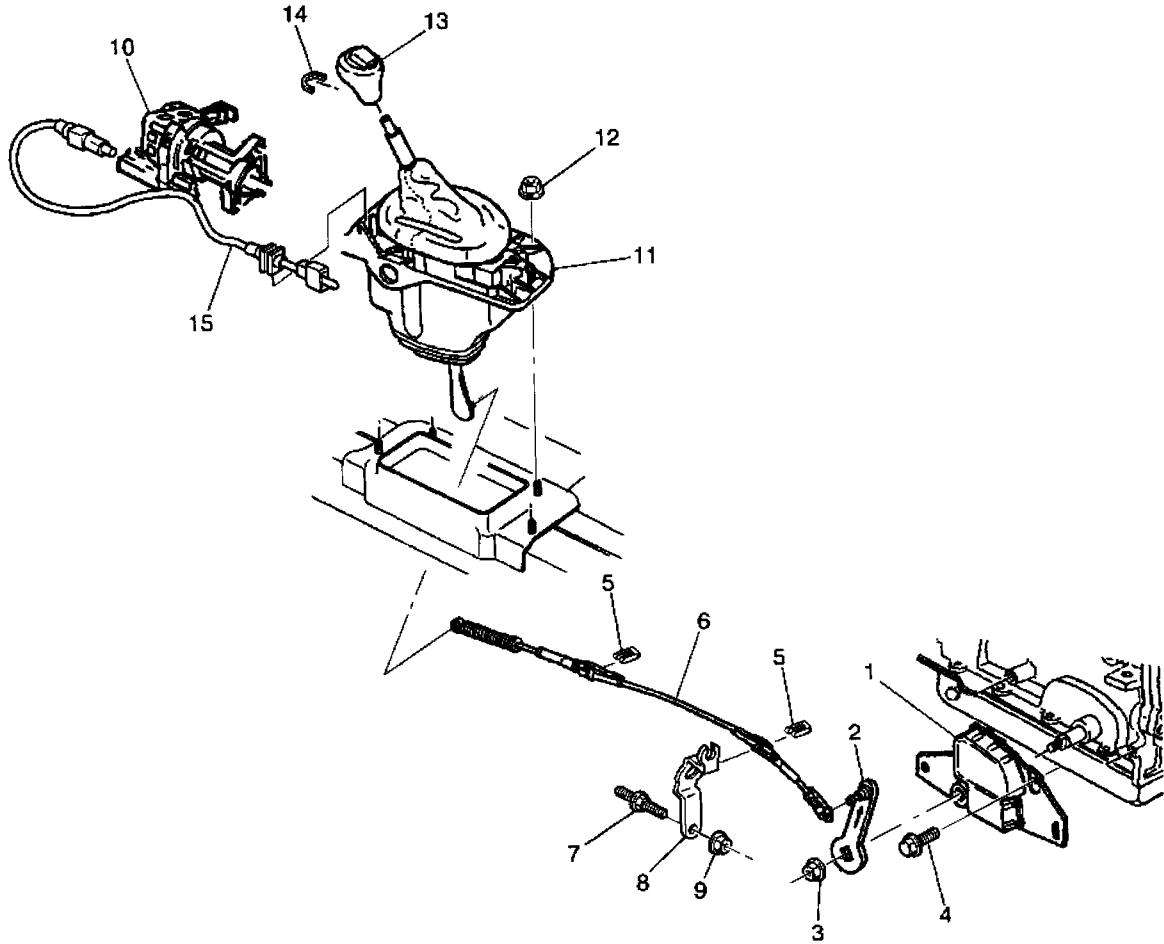




1Y04-039 07/12/2001



1Y04-038 05/29/2003



rb

15

1Y04-055 02/14/2002

